



CABINETRY
SPECIFICATION
GUIDE | 2020

Professionally
Crafted Cabinets

TABLE OF CONTENTS

03

CABINET
CONSTRUCTION BASICS

05

WALL CABINET DESIGN
AND SPECIFICATIONS

23

BASE CABINET DESIGN
AND SPECIFICATIONS

35

TALL CABINET DESIGN
AND SPECIFICATIONS

39

VANITY CABINET DESIGN
AND SPECIFICATIONS

44

ACCESSORIES

59

ORDERING POLICIES

71

MODIFICATIONS

CABINET CONSTRUCTION



5/8" solid wood dovetail construction on all sides of drawer box with UV clear coat on all exposed surfaces. Drawer glides are all steel constructed soft close mechanism. 3/8" plywood drawer bottom.

Solid wood corner bracket for extra stability.

1/2" plywood panel dados into face frame. Side reveal is 1/4" before skin is applied.

3/4" adjustable plywood shelf, finished with Birch wood veneer top and bottom edge banded on the front leading edge.

All hinges are 6-way adjustable and have an internal soft close mechanism on each hinge.

1/2" furniture grade plywood coated with UV clear coat

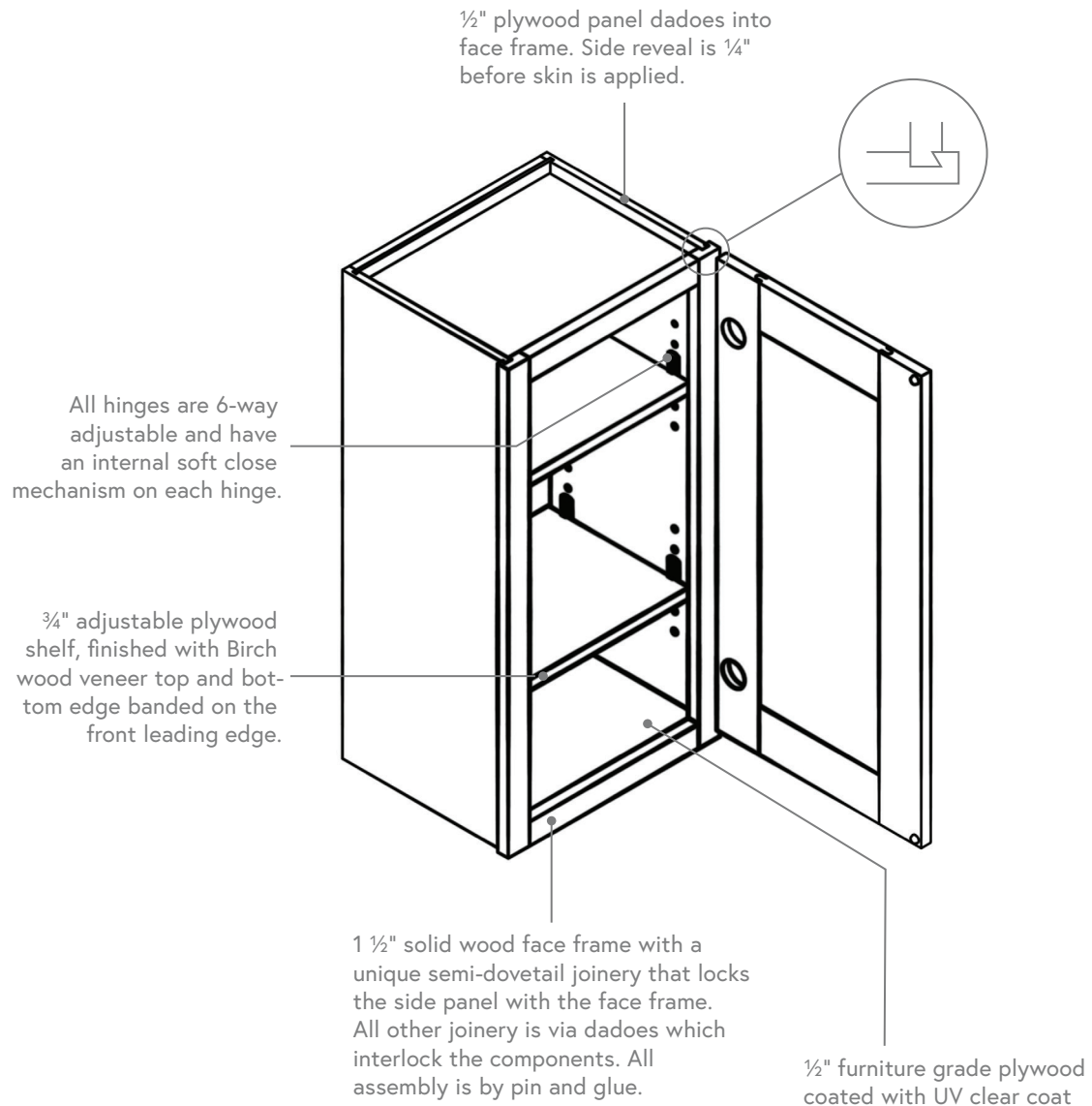
4 1/2" high x 2 1/2" deep 1/2" thick toe boards



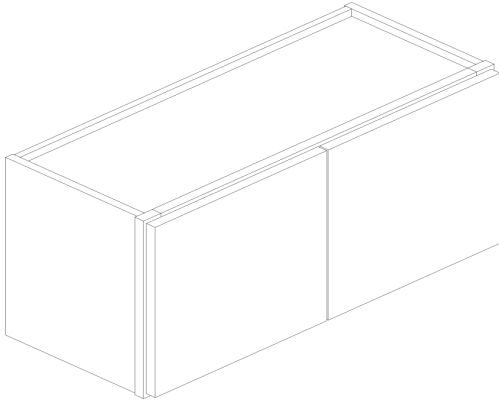


WALL CABINET DESIGN AND SPECIFICATIONS

WALL CABINET SPECIFICATIONS



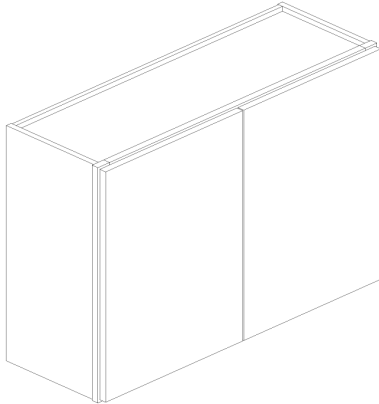
12/15/18/21/24" HIGH
WALL CABINETS



DOUBLE DOOR

WxHxD	SKU	MINIMAL SERIES	ESSENTIAL SERIES
30"x12"x12"	W3012	•	•
30"x15"x12"	W3015	•	•
30"x18"x12"	W3018	•	•
30"x21"x12"	W3021	•	•
36"x12"x12"	W3612	•	•
36"x15"x12"	W3615	•	•
36"x18"x12"	W3618	•	•
36"x21"x12"	W3621	•	•

*Modifications available



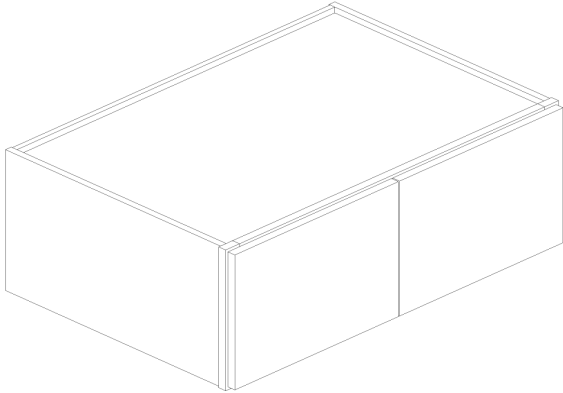
DOUBLE DOOR
 SINGLE SHELF

WxHxD	SKU	MINIMAL SERIES	ESSENTIAL SERIES
30"x24"x12"	W3024	•	•
33"x24"x12"	W3324	•	•
36"x24"x12"	W3624	•	•

*Modifications available

24" DEEP

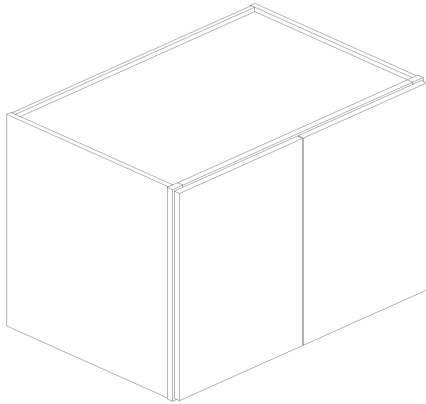
WALL CABINETS



DOUBLE DOOR

WxHxD	SKU	MINIMAL SERIES	ESSENTIAL SERIES
36"x12"x24"	W361224	•	•
36"x15"x24"	W361524	•	•
36"x18"x24"	W361824	•	•
36"x21"x24"	W362124	•	•
42"x12"x24"	W421224	•	•
48"x12"x24"	W481224	•	•

*Modifications available



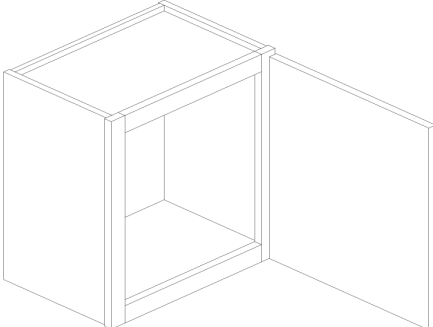
DOUBLE DOOR
SINGLE SHELF

WxHxD	SKU	MINIMAL SERIES	ESSENTIAL SERIES
36"x24"x24"	W362424	•	•

*Modifications available

18" HIGH

WALL CABINETS



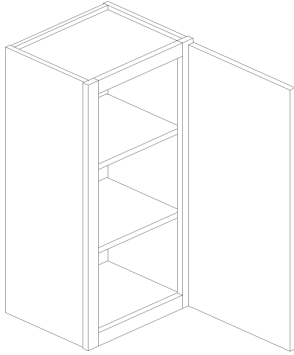
SINGLE DOOR

WxHxD	SKU	MINIMAL SERIES	ESSENTIAL SERIES
18"x18"x12"	W1818	•	•

*Modifications available

30" HIGH

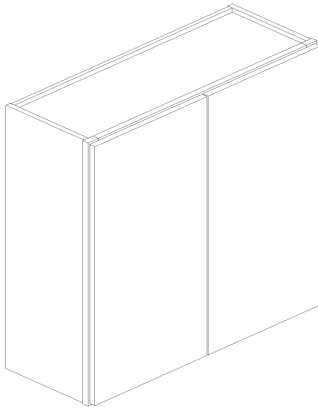
WALL CABINETS



SINGLE DOOR
DOUBLE SHELF

WxHxD	SKU	MINIMAL SERIES	ESSENTIAL SERIES
9"x30"x12"	W0930	•	•
12"x30"x12"	W1230	•	•
15"x30"x12"	W1530	•	•
18"x30"x12"	W1830	•	•
21"x30"x12"	W2130	•	•

*Modifications available



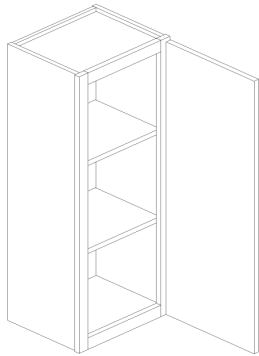
DOUBLE DOOR
DOUBLE SHELF

WxHxD	SKU	MINIMAL SERIES	ESSENTIAL SERIES
24"x30"x12"	W2430	•	•
27"x30"x12"	W2730	•	•
30"x30"x12"	W3030	•	•
33"x30"x12"	W3330	•	•
36"x30"x12"	W3630	•	•
39"x30"x12"	W3930	•	•
42"x30"x12"	W4230	•	•

*Modifications available

36" HIGH

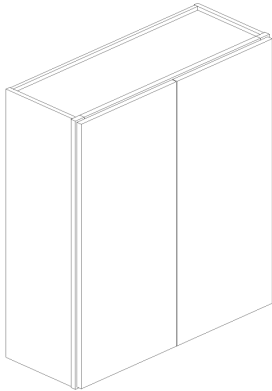
WALL CABINETS



SINGLE DOOR
DOUBLE SHELF

WxHxD	SKU	MINIMAL SERIES	ESSENTIAL SERIES
9"x36"x12"	W0936	•	•
12"x36"x12"	W1236	•	•
15"x36"x12"	W1536	•	•
18"x36"x12"	W1836	•	•
21"x36"x12"	W2136	•	•

*Modifications available



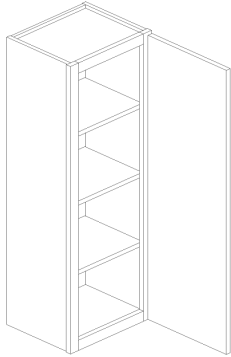
DOUBLE DOOR
DOUBLE SHELF

WxHxD	SKU	MINIMAL SERIES	ESSENTIAL SERIES
24"x36"x12"	W2436	•	•
27"x36"x12"	W2736	•	•
30"x36"x12"	W3036	•	•
33"x36"x12"	W3336	•	•
36"x36"x12"	W3636	•	•
39"x36"x12"	W3936	•	•
42"x36"x12"	W4236	•	•

*Modifications available

42" HIGH

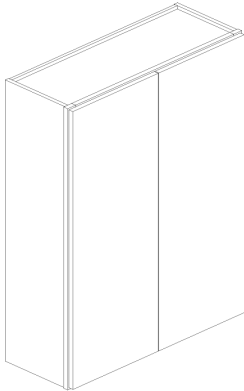
WALL CABINETS



SINGLE DOOR
TRIPLE SHELF

WxHxD	SKU	MINIMAL SERIES	ESSENTIAL SERIES
9"x42"x12"	W0942	•	•
12"x42"x12"	W1242	•	•
15"x42"x12"	W1542	•	•
18"x42"x12"	W1842	•	•
21"x42"x12"	W2142	•	•

*Modifications available



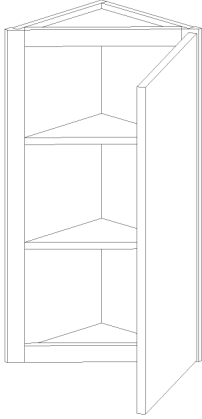
DOUBLE DOOR
TRIPLE SHELF

WxHxD	SKU	MINIMAL SERIES	ESSENTIAL SERIES
24"x42"x12"	W2442	•	•
27"x42"x12"	W2742	•	•
30"x42"x12"	W3042	•	•
33"x42"x12"	W3342	•	•
36"x42"x12"	W3642	•	•
39"x42"x12"	W3942	•	•
42"x42"x12"	W4242	•	•

*Modifications available

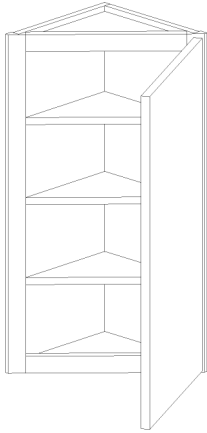
WALL ANGLE

END OF RUN CABINETS



WxHxD	SKU	MINIMAL SERIES	ESSENTIAL SERIES
30"x12"x12"	WAE30	•	•
36"x12"x12"	WAE36	•	•

*Comes standard with finished interior

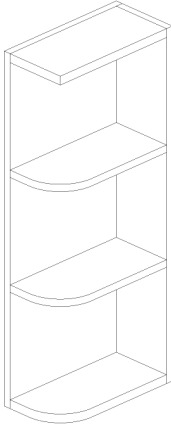


WxHxD	SKU	MINIMAL SERIES	ESSENTIAL SERIES
42"	WAE42	•	•

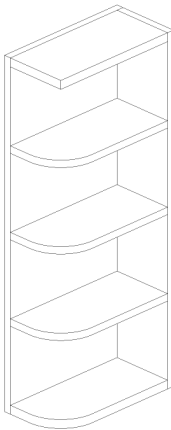
*Comes standard with finished interior

WALL OPEN SHELF

END OF RUN CABINETS



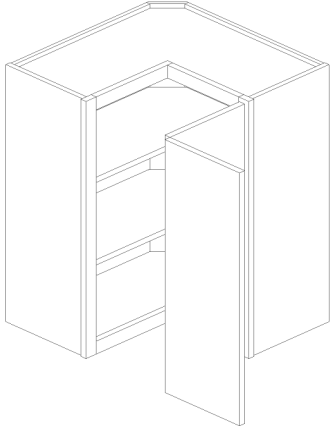
WxHxD	SKU	MINIMAL SERIES	ESSENTIAL SERIES
6"x30"x12"	WOES0630	•	•
6"x36"x12"	WOES0636	•	•



WxHxD	SKU	MINIMAL SERIES	ESSENTIAL SERIES
6"x42"x12"	WOES0642	•	•

SQUARE

WALL CORNER CABINETS

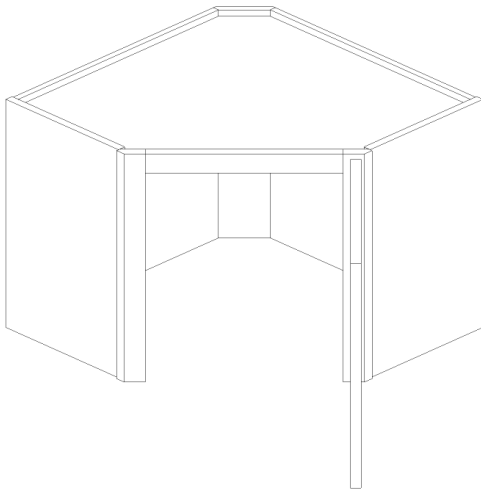


WxHxD	SKU	MINIMAL SERIES	ESSENTIAL SERIES
24"x30"x24"	WSC2430	•	•
24"x36"x24"	WSC2436	•	•
24"x42"x24"	WSC2442	•	•

*Modifications available
30" & 36" high cabinets have two shelves | 42" high cabinets have three shelves

24" DIAGONAL CORNER APPLIANCE GARAGE

WALL CORNER CABINETS

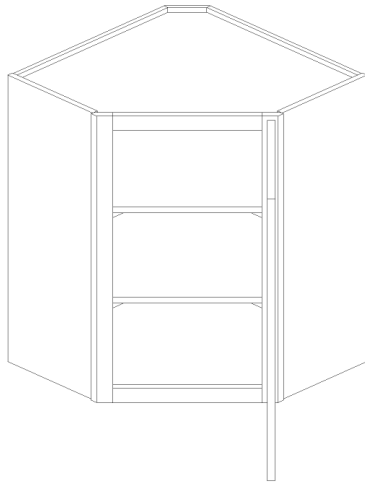


WxHxD	SKU	MINIMAL SERIES	ESSENTIAL SERIES
24"x18"x24"	WDC2418	•	•

*Modifications available | Does not have bottom rail or floor

DIAGONAL

WALL CORNER CABINETS

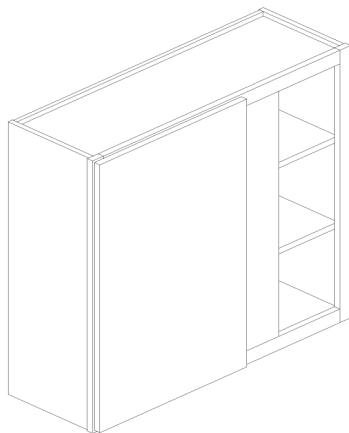


WxHxD	SKU	MINIMAL SERIES	ESSENTIAL SERIES
24"x30"x12"	WDC2430	•	•
24"x36"x12"	WDC2436	•	•
24"x42"x12"	WDC2442	•	•
27"x36"x15"	WDC273615	•	•
27"x42"x15"	WDC274215	•	•

*Modifications available
 30" & 36" high cabinets have two shelves | 42" high cabinets have three shelves

WALL BLIND

WALL CORNER CABINETS



WxHxD	SKU	MINIMAL SERIES	ESSENTIAL SERIES
30"x30"x12"	WBC3030	•	•
30"x36"x12"	WBC3630	•	•
36"x30"x12"	WBC3036	•	•
36"x36"x12"	WBC3636	•	•
30"x42"x12"	WBC3042	•	•
36"x42"x12"	WBC3642	•	•

*Modifications available | right hinge cabinet shown
 30" & 36" high cabinets have two shelves | 42" high cabinets have three shelves
 Can be pulled up to 3" from wall

TECHNICAL SPECS

WBC30

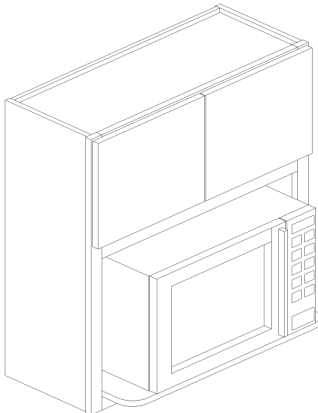
Door Opening 11.5"
 Center Stile 6.5"
 Blind Opening 9"

WBC36

Door Opening 17.5"
 Center Stile 6.5"
 Blind Opening 9"

MICROWAVE

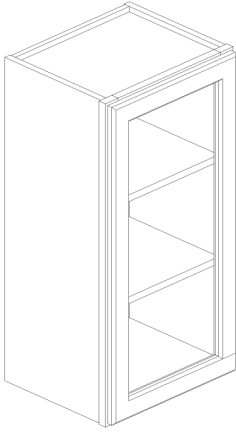
WALL CABINET



WxHxD	SKU	MINIMAL SERIES	ESSENTIAL SERIES
30"x30"x12"	WMO3030	•	•
30"x36"x12"	WMO3036	•	•
30"x42"x12"	WMO3042	•	•

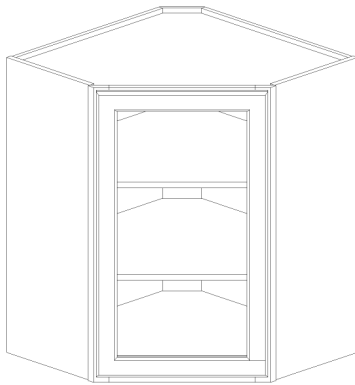
*Modifications available | Comes standard with finished interior
Removable shelf is 17" deep, microwave opening is 27" wide by 16.5" high

GLASS DOOR WALL CABINETS



WxHxD	SKU	MINIMAL SERIES	ESSENTIAL SERIES
15"x30"x12"	W1530GD	•	•
15"x36"x12"	W1536GD	•	•
15"x42"x12"	W1542GD	•	•
24"x30"x12"	W2430GD	•	•
24"x36"x12"	W2436GD	•	•
24"x42"x12"	W2442GD	•	•
30"x30"x12"	W3030GD	•	•
30"x36"x12"	W3036GD	•	•
30"x42"x12"	W3042GD	•	•

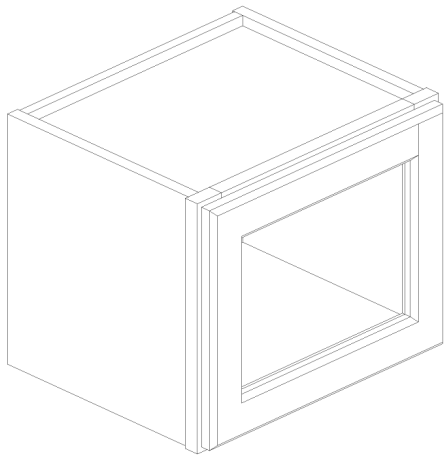
*Modifications available | Glass not included, interior finished upon request
30" & 36" high cabinets have two shelves | 42" high cabinets have three shelves



WxHxD	SKU	MINIMAL SERIES	ESSENTIAL SERIES
24"x30"x12"	WDC2430GD	•	•
24"x36"x12"	WDC2436GD	•	•
24"x42"x12"	WDC2442GD	•	•
27"x36"x15"	WDC273615GD	•	•
27"x42"x15"	WDC274215GD	•	•

*Modifications available | Glass not included, interior finished upon request
30" & 36" high cabinets have two shelves | 42" high cabinets have three shelves

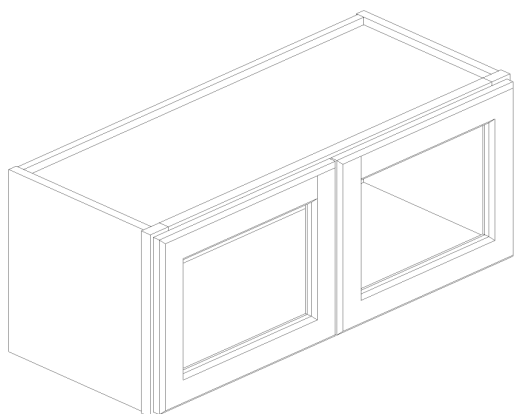
SINGLE GLASS DOOR
WALL GLASS CABINET



WxHxD	SKU	MINIMAL SERIES	ESSENTIAL SERIES
12"x12"	W1212GD	•	•
15"x12"	W1512GD	•	•
18"x12"	W1812GD	•	•
21"x12"	W2112GD	•	•

*Modifications available | Glass not included, interior finished upon request
Only available in LSW, LSE, LSG, AA, AB, AO

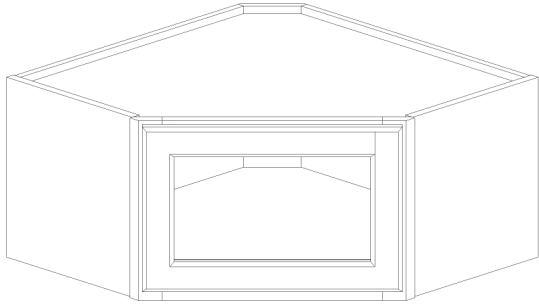
DOUBLE GLASS DOOR
WALL GLASS CABINET



WxHxD	SKU	MINIMAL SERIES	ESSENTIAL SERIES
12"x12"	W2412GD	•	•
27"x12"	W2712GD	•	•
30"x12"	W3012GD	•	•
33"x12"	W3312GD	•	•
36"x12"	W3612GD	•	•

*Modifications available | Glass not included, interior finished upon request
Only available in LSW, LSE, LSG, AA, AB, AO

DIAGONAL GLASS DOOR WALL GLASS CABINET



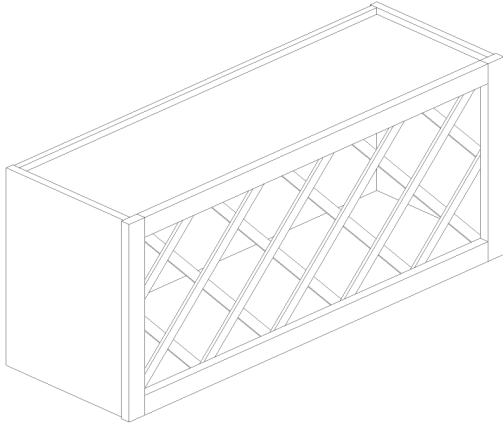
WxHxD	SKU	MINIMAL SERIES	ESSENTIAL SERIES
24"x12"x12"	WDC2412GD	•	•

*Modifications available | Glass not included, interior finished up request
Only available in LSW, LSE, LSG, AA, AB, AO

PRO TIP

Can't find the glass door size you are looking for? We can prep most doors for glass.
See the modification list on page 69.

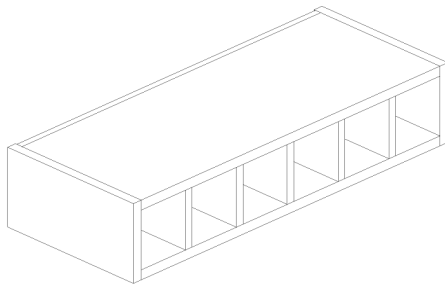
WINE WALL CABINETS



WINE RACK

WxHxD	SKU	MINIMAL SERIES	ESSENTIAL SERIES
30"x15"x12"	WR3015	•	•
36"x15"x12"	WR3615	•	•

*Comes standard with finished interior

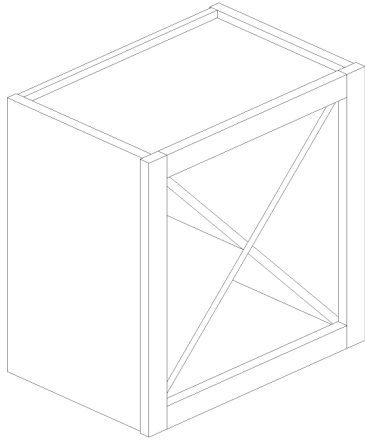


SLOTTED
CUBBIE

WxHxD	SKU	MINIMAL SERIES	ESSENTIAL SERIES
30"x6"x12"	WCW630	•	•

*Comes standard with finished interior

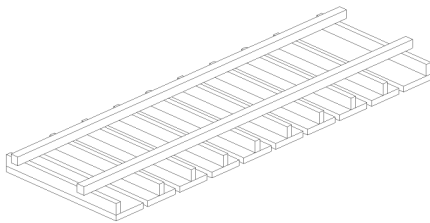
WINE
WALL CABINETS



X STORAGE

WxHxD	SKU	MINIMAL SERIES	ESSENTIAL SERIES
18"x18"x12"	WCX1818	•	•

*Comes standard with finished interior



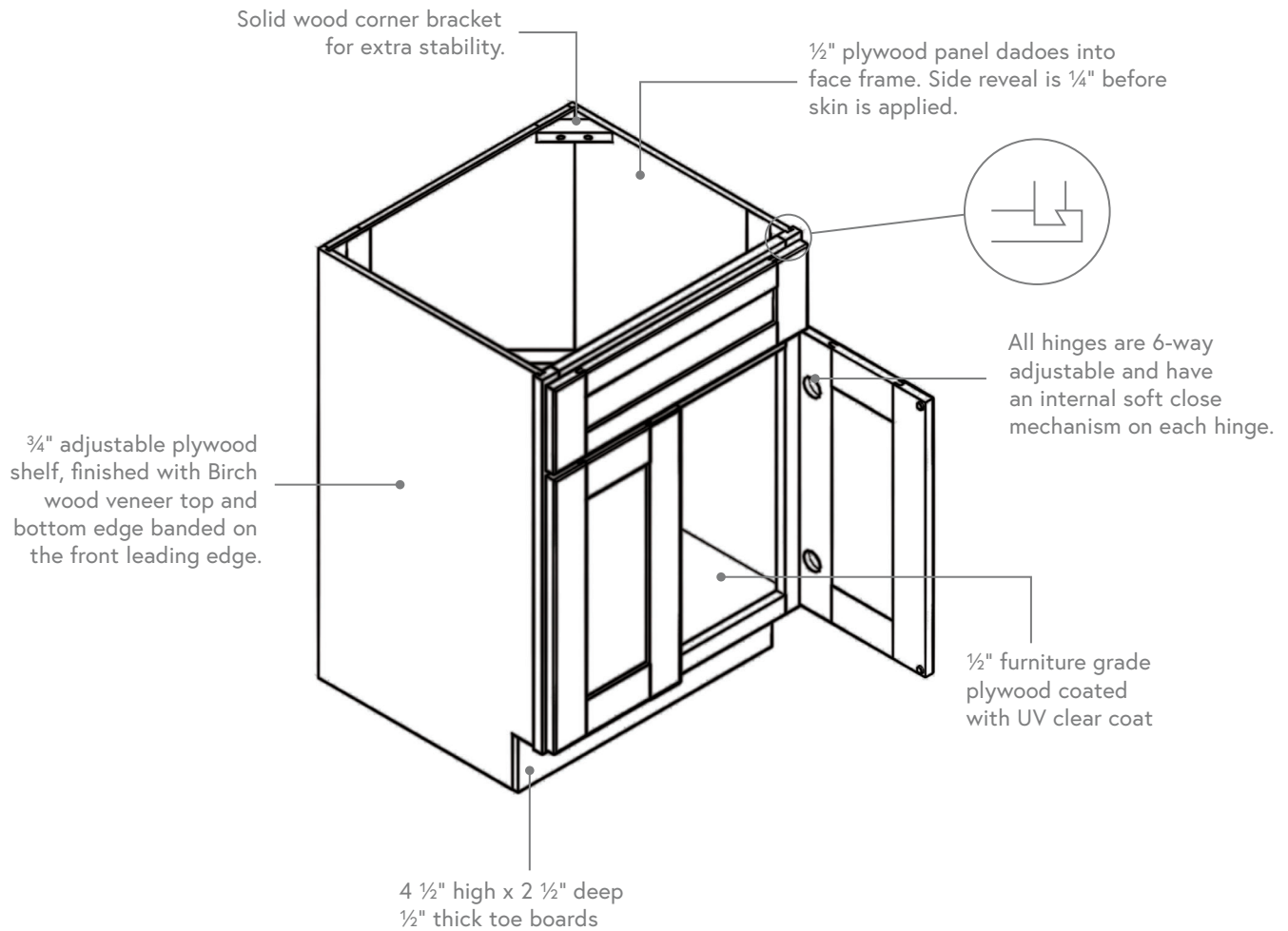
STEM GLASS
HOLDER

WxHxD	SKU	MINIMAL SERIES	ESSENTIAL SERIES
30"x1.5"x12"	SGH30	•	•
36"x1.5"x12"	SGH36	•	•



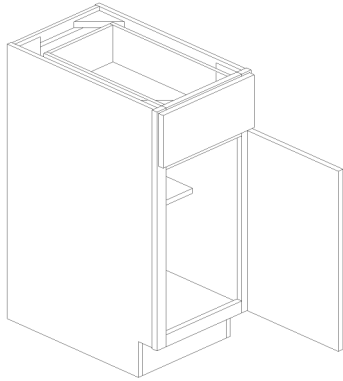
BASE CABINET DESIGN AND SPECIFICATIONS

BASE CABINET SPECIFICATIONS



BASE WITH DRAWER

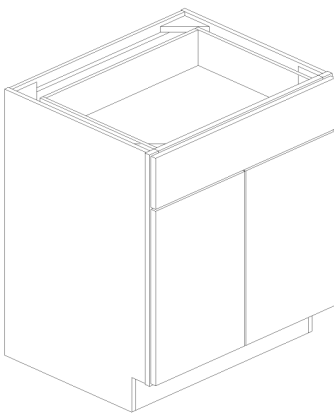
BASE CABINETS



SINGLE DOOR

WxHxD	SKU	MINIMAL SERIES	ESSENTIAL SERIES
12"x34.5"x24"	B12	•	•
15"x34.5"x24"	B15	•	•
18"x34.5"x24"	B18	•	•
21"x34.5"x24"	B21	•	•

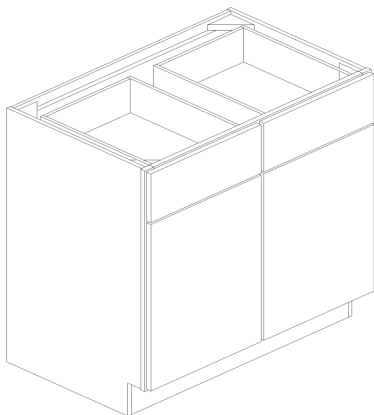
*Modifications available



SINGLE DOOR

WxHxD	SKU	MINIMAL SERIES	ESSENTIAL SERIES
24"x34.5"x24"	B24	•	•
27"x34.5"x24"	B27	•	•
30"x34.5"x24"	B30	•	•
33"x34.5"x24"	B33	•	•
36"x34.5"x24"	B36	•	•

*Modifications available

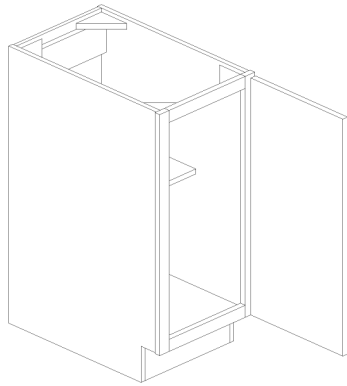


DOUBLE DOOR

WxHxD	SKU	MINIMAL SERIES	ESSENTIAL SERIES
39"x34.5"x24"	B39	•	•
42"x34.5"x24"	B42	•	•

*Modifications available

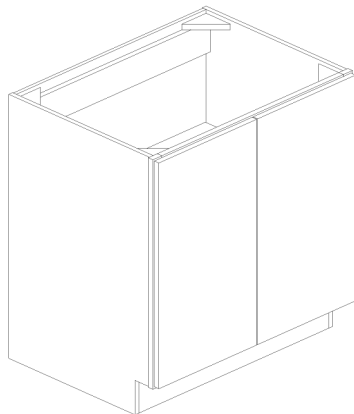
FULL HEIGHT BASE CABINETS



SINGLE DOOR

WxHxD	SKU	MINIMAL SERIES	ESSENTIAL SERIES
9"x34.5"x24"	B09FH	•	•
12"x34.5"x24"	B12FH	•	•
15"x34.5"x24"	B15FH	•	•
18"x34.5"x24"	B18FH	•	•
21"x34.5"x24"	B21FH	•	•

*Modifications available



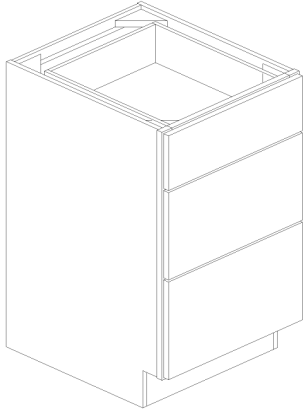
DOUBLE DOOR

WxHxD	SKU	MINIMAL SERIES	ESSENTIAL SERIES
24"x34.5"x24"	B24FH	•	•
27"x34.5"x24"	B27FH	•	•
30"x34.5"x24"	B30FH	•	•
33"x34.5"x24"	B33FH	•	•
36"x34.5"x24"	B36FH	•	•
39"x34.5"x24"	B39FH	•	•
42"x34.5"x24"	B42FH	•	•

*Modifications available

DRAWER

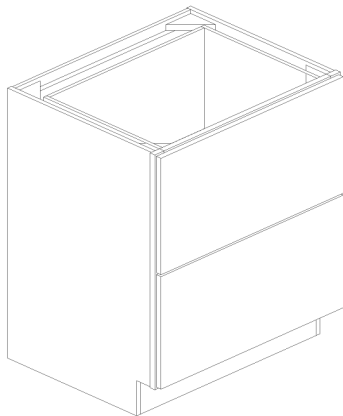
BASE CABINETS



THREE DRAWER

WxHxD	SKU	MINIMAL SERIES	ESSENTIAL SERIES
12"x34.5"x24"	3DB12	•	•
15"x34.5"x24"	3DB15	•	•
18"x34.5"x24"	3DB18	•	•
21"x34.5"x24"	3DB21	•	•
24"x34.5"x24"	3DB24	•	•
30"x34.5"x24"	3DB30	•	•
36"x34.5"x24"	3DB36	•	•

*Modifications available



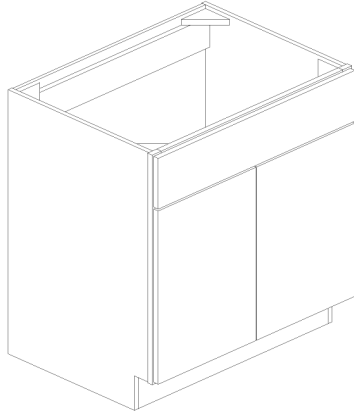
TWO DRAWER

WxHxD	SKU	MINIMAL SERIES	ESSENTIAL SERIES
30"x34.5"x24"	2DB30	•	•
36"x34.5"x24"	2DB36	•	•

*Modifications available

SINK

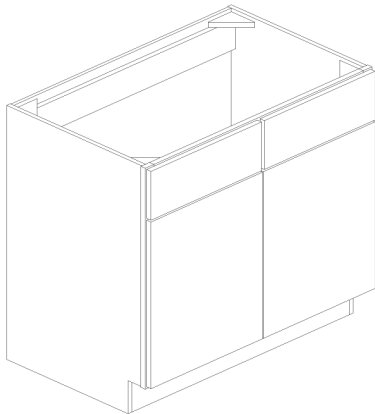
BASE CABINETS



DOUBLE DOOR
SINGLE DRAWER

WxHxD	SKU	MINIMAL SERIES	ESSENTIAL SERIES
24"x34.5"x24"	SB24	•	•
30"x34.5"x24"	SB30	•	•
33"x34.5"x24"	SB33	•	•
36"x34.5"x24"	SB36	•	•

*Modifications available

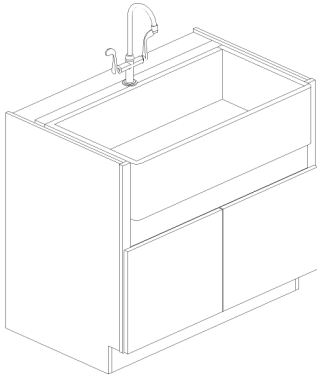


DOUBLE DOOR
DOUBLE DRAWER

WxHxD	SKU	MINIMAL SERIES	ESSENTIAL SERIES
39"x34.5"x24"	SB39	•	•
42"x34.5"x24"	SB42	•	•

*Modifications available

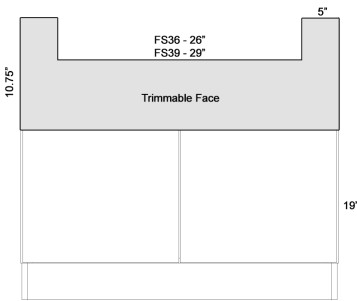
SINK BASE CABINETS



FARM SINK

WxHxD	SKU	MINIMAL SERIES	ESSENTIAL SERIES
36"x34.5"x24"	FS36	•	•
39"x34.5"x24"	FS39	•	•

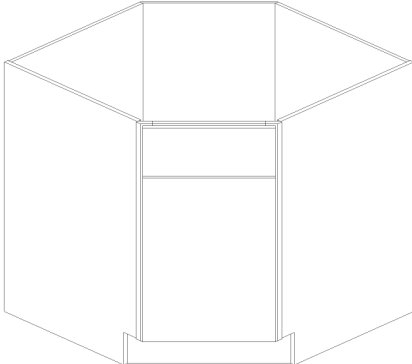
*Modifications available | sink opening must be cut in field



PRO TIP

Use a sharp blade and go slow when cutting farm sink opening to avoid excessive vibration that can cause joint splits. Order item SC-Scribe Molding to cover gaps where frame meets sink.

CORNER
BASE CABINETS

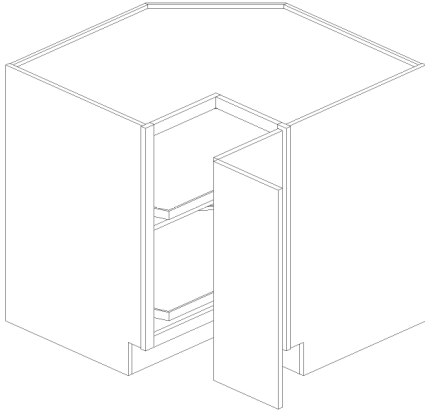


DIAGONAL
SINK

WxHxD	SKU	MINIMAL SERIES	ESSENTIAL SERIES
36"x34.5"x24"	DSB36	•	•

*Modifications available

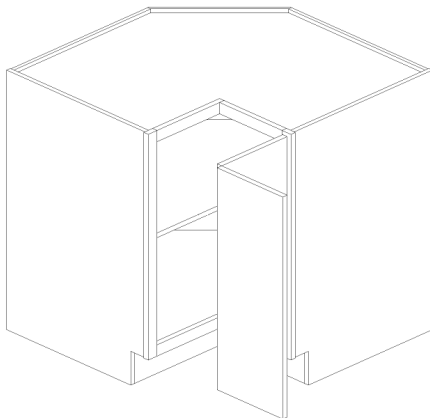
CORNER BASE CABINETS



LAZY SUSAN

WxHxD	SKU	MINIMAL SERIES	ESSENTIAL SERIES
33"x34.5"x24"	LSB33	•	•
36"x34.5"x24"	LSB36	•	•

*Modifications available



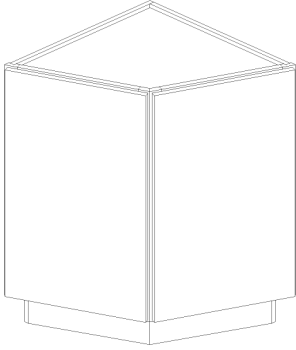
SQUARE
CORNER

WxHxD	SKU	MINIMAL SERIES	ESSENTIAL SERIES
36"x34.5"x24"	BER36	•	•

*Modifications available

ANGLE END

BASE CABINETS

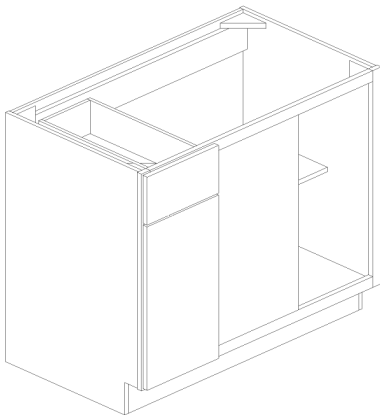


WxHxD	SKU	MINIMAL SERIES	ESSENTIAL SERIES
24"x34.5"x24"	BAE24	•	•

*Modifications available

BLIND

BASE CABINETS



WxHxD	SKU	MINIMAL SERIES	ESSENTIAL SERIES
39"x42"x24"	BLB39/42	•	•
42"x45"x24"	BLB42/45	•	•

*Modifications available | right hinge cabinet shown
Can be pulled up to 3" from wall

TECHNICAL SPECS

BLB39/42

Door Opening 8.5"

Center Stile 19"

Blind Opening 8.5"

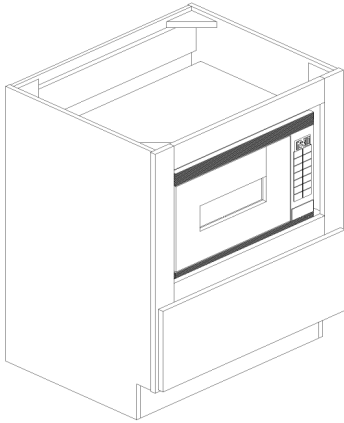
BLB42/45

Door Opening 11.5"

Center Stile 16"

Blind Opening 11.5"

MICROWAVE BASE CABINETS



TECHNICAL SPECS

BMD30

Microwave opening 24" wide x 13.25" high
3" Stiles & Rails surrounding microwave opening
Fixed shelf above drawer

WxHxD	SKU	MINIMAL SERIES	ESSENTIAL SERIES
30"x34.5"x24"	BMD30	•	•

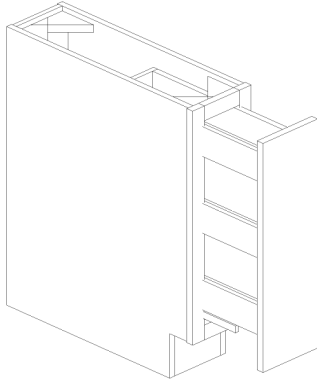
*Modifications available | Comes standard with finished interior

PRO TIP

Check your microwave specs before ordering. Some microwave trim kits fit without modification to face frame. You may have to order item TF396–Tall Filler to trim around your microwave. All cutting and modifications are done in the field.

SPECIALTY

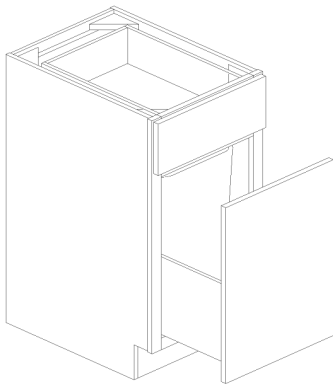
BASE CABINETS



SPICE RACK

WxHxD	SKU	MINIMAL SERIES	ESSENTIAL SERIES
9"x34.5"x24"	B09SP	•	•

*Modifications available | Does not come with soft close mechanism



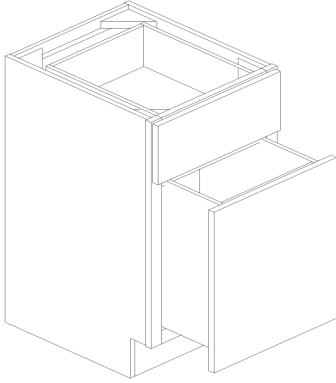
WASTE BASKET

WxHxD	SKU	MINIMAL SERIES	ESSENTIAL SERIES
18"x34.5"x24"	BWB18	•	•

*Modifications available | Does not come with soft close mechanism
Waste baskets sold separately, holds two waste baskets

SPECIALTY

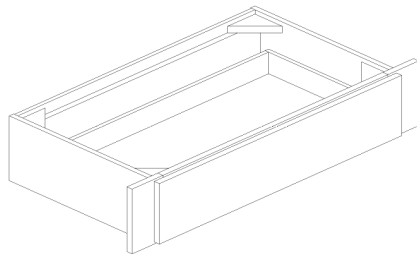
BASE CABINETS



FILE DRAWER

WxHxD	SKU	MINIMAL SERIES	ESSENTIAL SERIES
18"x30"x21"	FDB18	•	•

*File hanging system not included



VANITY KNEE DRAWER

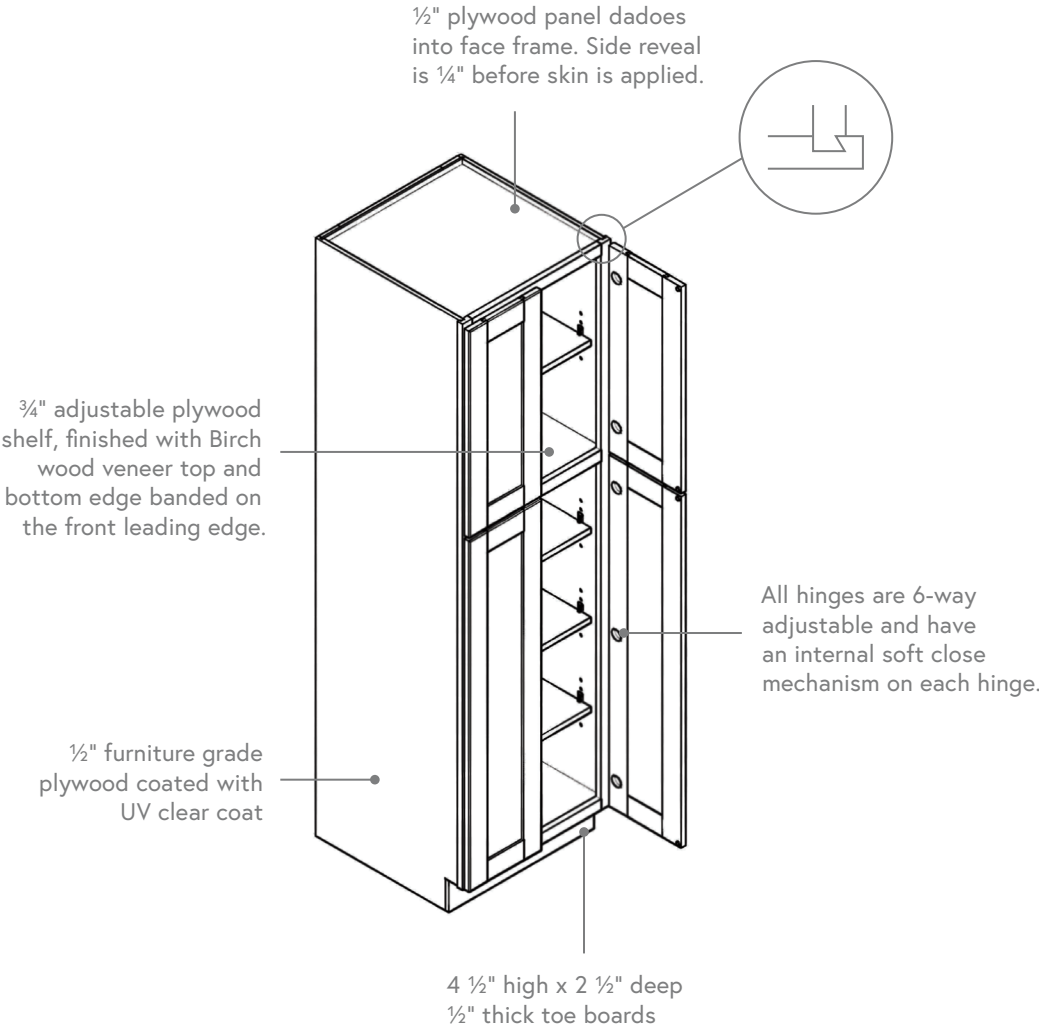
WxHxD	SKU	MINIMAL SERIES	ESSENTIAL SERIES
30/36"x7"x21"	KD30/36	•	•

*Overall size is 36" wide 3" Tabs can be cut to size
Actual drawer face is 30"

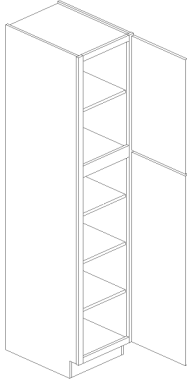


TALL CABINET DESIGN AND SPECIFICATIONS

TALL CABINETS SPECIFICATIONS



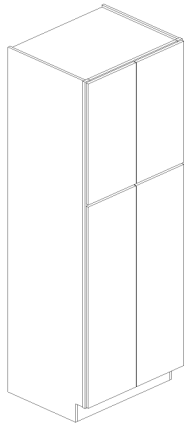
PANTRY



SINGLE DOOR

WxHxD	SKU	MINIMAL SERIES	ESSENTIAL SERIES
18"x84"x24"	TP188424	•	•
18"x90"x24"	TP189024	•	•
18"x96"x24"	TP189624	•	•

*Modifications available
84" high & 90" high cabinets have four shelves | 96" high cabinets have 5 shelves

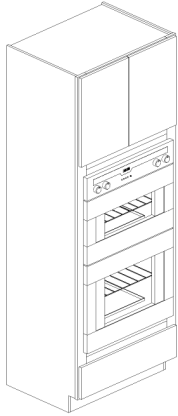


DOUBLE DOOR

WxHxD	SKU	MINIMAL SERIES	ESSENTIAL SERIES
24"x84"x24"	TP248424	•	•
24"x90"x24"	TP249024	•	•
24"x96"x24"	TP249624	•	•
30"x84"x24"	TP308424	•	•
30"x90"x24"	TP309024	•	•
30"x96"x24"	TP309624	•	•

*Modifications available
84" high & 90" high cabinets have four shelves | 96" high cabinets have 5 shelves

OVEN



TECHNICAL SPECS

Oven opening 29" wide x 49" high
All cuts are done in field
Not designed for single ovens or oven/
microwave combinations

WxHxD	SKU	MINIMAL SERIES	ESSENTIAL SERIES
33"x84"x24"	OC338424	•	•
33"x90"x24"	OC339024	•	•
33"x96"x24"	OC339624	•	•

*Modifications available

PRO TIP

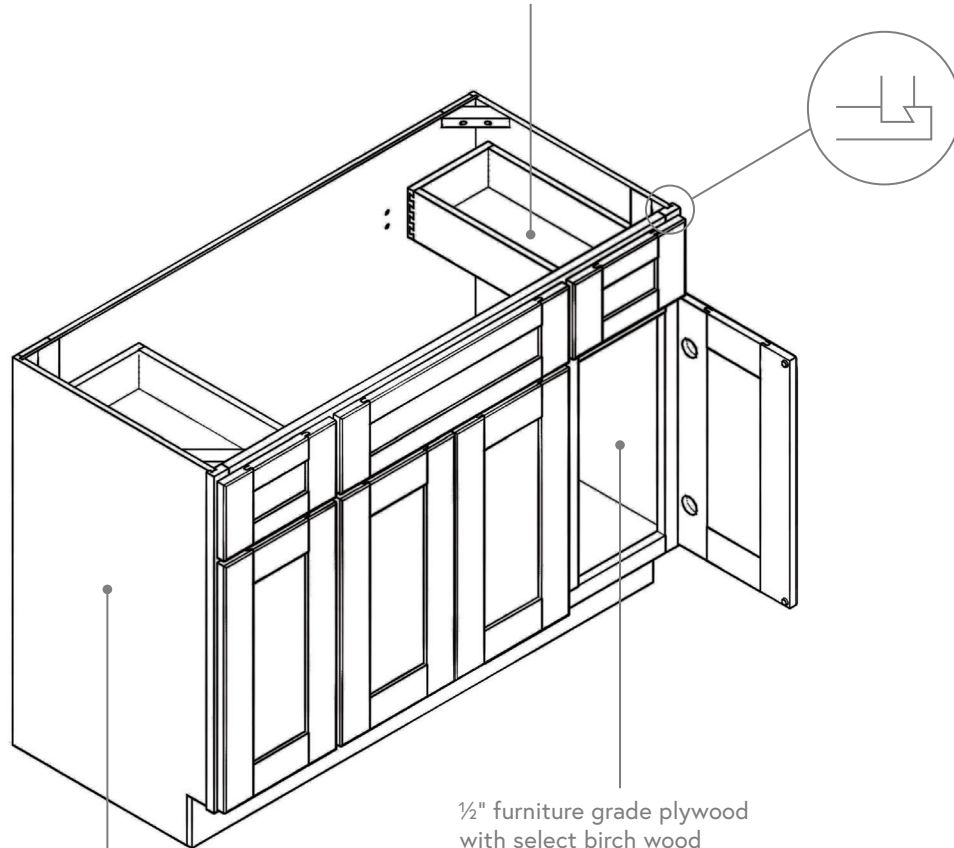
Check your appliance dimensions before ordering. You may need to order additional items (TF396–Tall Fillers and Item SC–Scribe Molding) to trim out oven in the opening. ProCraft is not responsible for assuring your appliance will fit in this cabinet.



VANITY DESIGN AND SPECIFICATIONS

VANITY CABINETS SPECIFICATIONS

$\frac{5}{8}$ " solid wood dovetail construction on all sides of drawer box with UV clear coat on all exposed surfaces. Drawer glides are all steel construction soft close mechanism.

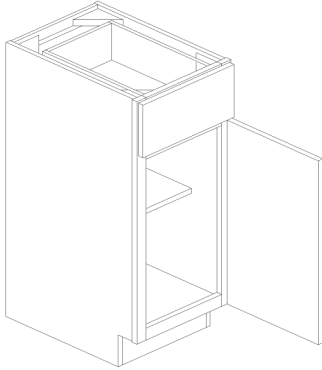


1 $\frac{1}{2}$ " solid wood face frame with a unique semi-dovetail joinery that locks the side panel with the face frame. All other joinery is via dados which interlock the components. All assembly is by pin and glue.

$\frac{1}{2}$ " furniture grade plywood with select birch wood veneer on both the interior and exterior, which is used for the top, bottom, and sides.

BASE WITH DRAWER

VANITY CABINETS

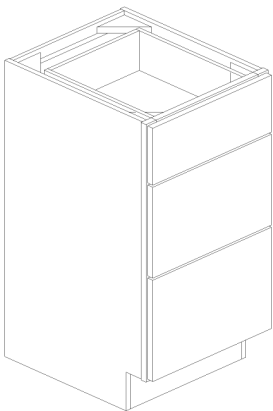


WxHxD	SKU	MINIMAL SERIES	ESSENTIAL SERIES
12"x34.5"x21"	VB12	•	•
15"x34.5"x21"	VB15	•	•

*Modifications available

DRAWER

VANITY CABINETS



WxHxD	SKU	MINIMAL SERIES	ESSENTIAL SERIES
12"x34.5"x21"	VDB12	•	•
15"x34.5"x21"	VDB15	•	•
18"x34.5"x21"	VDB18	•	•
24"x34.5"x21"	VDB24	•	•

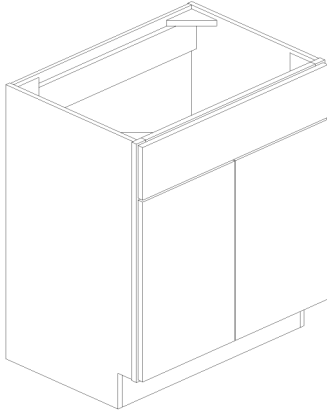
*Modifications available

PRO TIP

Looking for a 21" or 30" wide vanity drawer bank? Take a 3DB21 OR 3DB30 and apply a reduce depth drawer charge (RDD) to get a 21" deep cabinet.

SINK

VANITY CABINETS

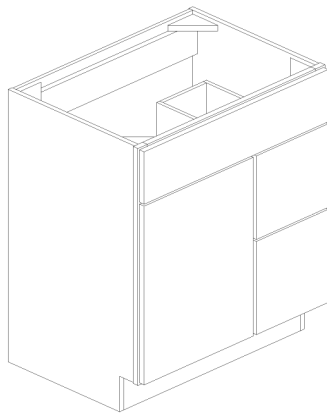


WxHxD	SKU	MINIMAL SERIES	ESSENTIAL SERIES
24"x34.5"x21"	VSB24	•	•
30"x34.5"x21"	VSB30	•	•
36"x34.5"x21"	VSB36	•	•

*Modifications available

SINK DRAWERS

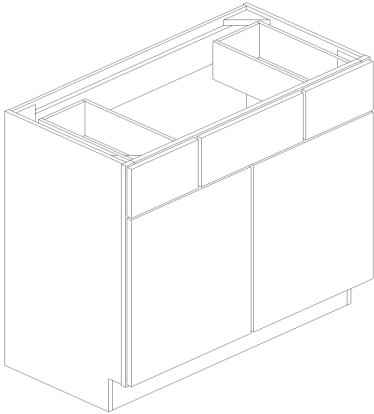
VANITY CABINETS



WxHxD	SKU	MINIMAL SERIES	ESSENTIAL SERIES
30"x34.5"x21"	VSD30L	•	•
30"x34.5"x21"	VSD30R	•	•
36"x34.5"x21"	VSD36L	•	•
36"x34.5"x21"	VSD36R	•	•

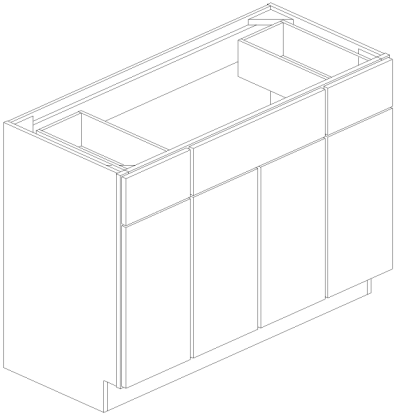
*Modifications available | Right cabinet shown

VANITY
CONSOLES



WxHxD	SKU	MINIMAL SERIES	ESSENTIAL SERIES
42"x34.5"x21"	VSD42	•	•

*Modifications available



WxHxD	SKU	MINIMAL SERIES	ESSENTIAL SERIES
48"x34.5"x21"	VSD48	•	•

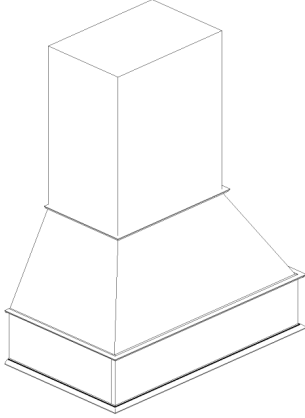
*Modifications available

ACCESSORIES

It's important to remember that the final embellishments can really bring a beautiful design together. Our accessories help put the final touches on your product selection.



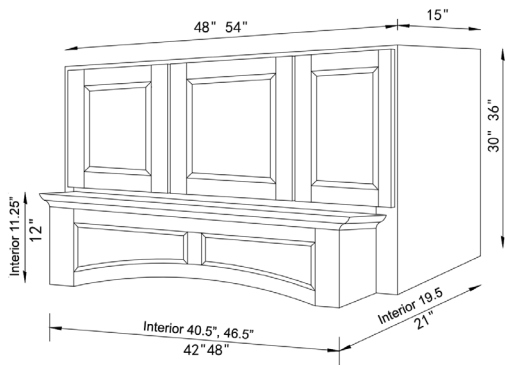
CHIMNEY HOOD ACCESSORIES



WxHxD	SKU	MINIMAL SERIES	ESSENTIAL SERIES
34.5"x53"x24"	CH36	•	•
40.5"x53"x24"	CH42	•	•

*Ships in two boxes | Chimney section is 30" high by 22" wide
Interior dimensions: CH36: 30.75" x 21.5" x 8" | CH42: 36.75" x 21.5" x 8"

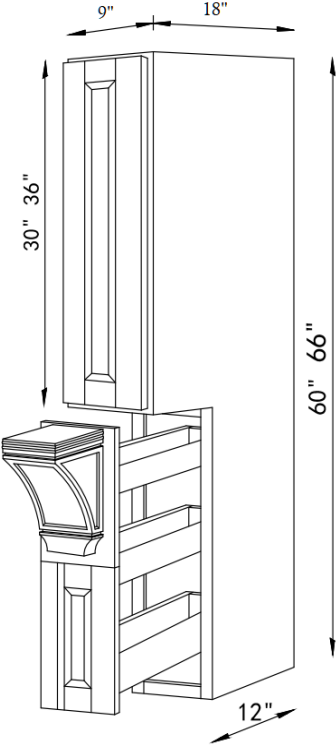
ARCHED HOOD



WxHxD	SKU	MINIMAL SERIES	ESSENTIAL SERIES
48"x30"x24"	RHA4830	•	•
48"x36"x24"	RHA4836	•	•
54"x30"x24"	RHA5430	•	•
54"x36"x24"	RHA5436	•	•

*Only available in LSW, AA, AO, BG, and AB

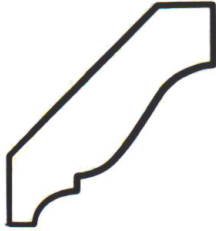
SPICE RACK
HOOD



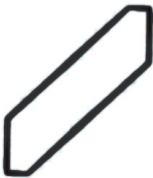
WxHxD	SKU	MINIMAL SERIES	ESSENTIAL SERIES
9"x60"x18"	HSR0960	•	•
9"x66"x18"	HSR0966	•	•

*Only available in LSW, AA, AO, BG, and AB

CROWN MOLDING

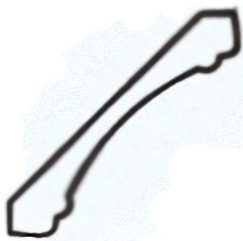


WxHxD	SKU	MINIMAL SERIES	ESSENTIAL SERIES
96"x3"x3"	CM-4	•	•



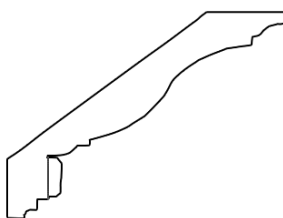
WxHxD	SKU	MINIMAL SERIES	ESSENTIAL SERIES
96"x3.5"x3.5"	CMM-4	•	

*Only available in LSW, LSE, and LSG



WxHxD	SKU	MINIMAL SERIES	ESSENTIAL SERIES
96"x3.5"x3.5"	FCM		•

*Only available in AA, AB, BG, ESC, NME, and LSG



WxHxD	SKU	MINIMAL SERIES	ESSENTIAL SERIES
96"x3.5"x3.5"	DCM		•

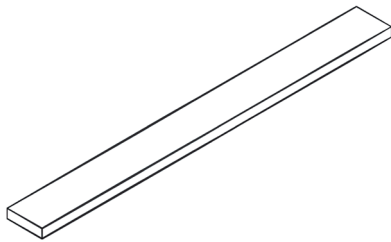
*Only available in AO and SCN

BASE MOLDINGS



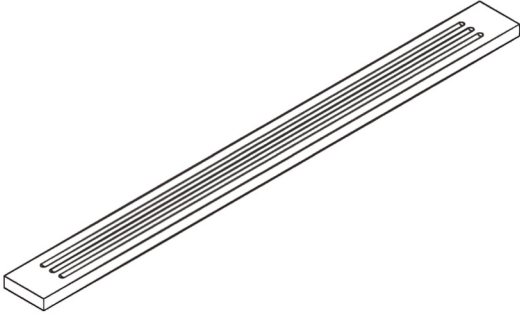
WxHxD	SKU	MINIMAL SERIES	ESSENTIAL SERIES
96"x4.5"x.75"	FBM8	•	•

FILLERS



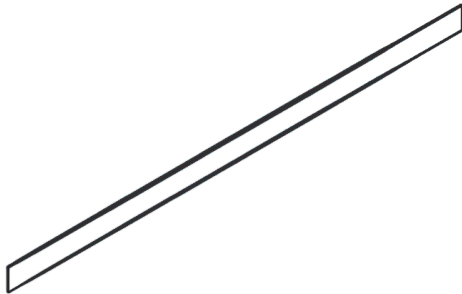
WxHxD	SKU	MINIMAL SERIES	ESSENTIAL SERIES
Wall Filler			
3"x30".75"	WF330	•	•
3"x36".75"	WF336	•	•
3"x42".75"	WF342	•	•
6"x30".75"	WF630	•	•
6"x36".75"	WF636	•	•
6"x42".75"	WF642	•	•
Tall Filler			
3"x96".75"	TF396	•	•
6"x96".75"	TF696	•	•

FLUTED FILLERS



WxHxD	SKU	MINIMAL SERIES	ESSENTIAL SERIES
3"x30".75"	FF330	•	•
3"x36".75"	FF336	•	•
3"x42".75"	FF342	•	•
3"x96".75"	FF396	•	•

TOE KICK FILLERS

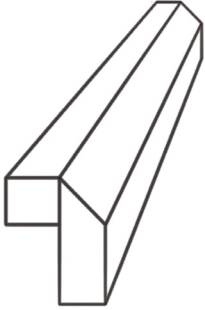


WxHxD	SKU	MINIMAL SERIES	ESSENTIAL SERIES
96"x4.5".25"	TK96	•	•

PRO TIP

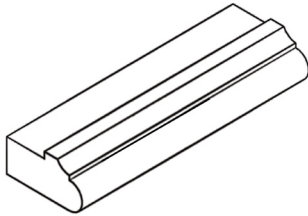
Try using an OCL—Outside Corner Molding to finish cut or exposed edges of toe kick for a clean, finished look.

LIGHT RAIL MOLDING
TRIMS



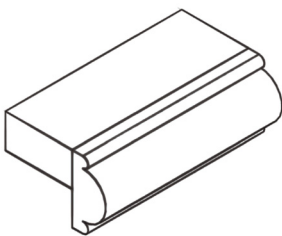
WxHxD	SKU	MINIMAL SERIES	ESSENTIAL SERIES
96"x2"x1.5"	LBMF	•	•

LIGHT VALANCE PROFILE
TRIMS



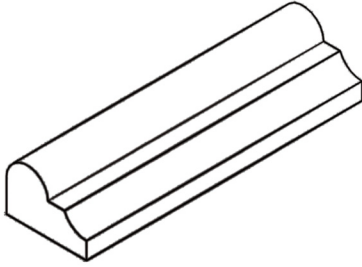
WxHxD	SKU	MINIMAL SERIES	ESSENTIAL SERIES
96"x.75"x1.5"	LVP	•	•

LIGHT VALANCE BEADED
TRIMS



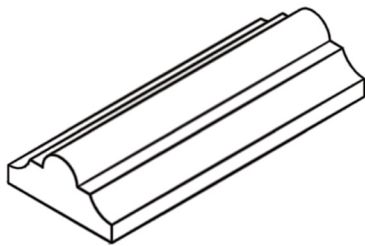
WxHxD	SKU	MINIMAL SERIES	ESSENTIAL SERIES
96"x1.5"x1.5"	LVB	•	•

CHAIR RAIL TRIMS



WxHxD	SKU	MINIMAL SERIES	ESSENTIAL SERIES
96"x1.5"x1.5"	CR	•	•

FURNITURE STRAIGHT TRIMS



WxHxD	SKU	MINIMAL SERIES	ESSENTIAL SERIES
96"x.75"x1.6"	FSM	•	•

SCRIBE TRIMS



WxHxD	SKU	MINIMAL SERIES	ESSENTIAL SERIES
96"x.75"x.25"	SC	•	•

BATTEN TRIMS



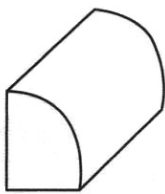
WxHxD	SKU	MINIMAL SERIES	ESSENTIAL SERIES
96"x.75"x.25"	BAM	•	•

OUTSIDE CORNER TRIMS



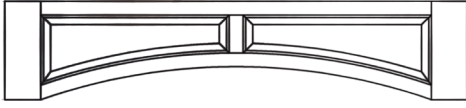
WxHxD	SKU	MINIMAL SERIES	ESSENTIAL SERIES
96"x.75"x.75"	OCL	•	•

QUARTER ROUND TRIMS



WxHxD	SKU	MINIMAL SERIES	ESSENTIAL SERIES
96"x.75"x.75"	QR	•	•

ARCHED PANEL
VALANCES



WxHxD	SKU	MINIMAL SERIES	ESSENTIAL SERIES
36"x9"x.75"	AVAL36	•	•
48"x9"x.75"	AVAL48	•	•

*Can cut up to 2" off either side

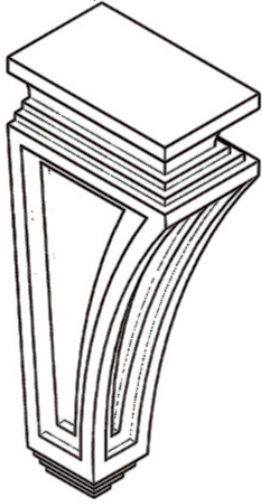
BEADED
VALANCES



WxHxD	SKU	MINIMAL SERIES	ESSENTIAL SERIES
42"x6"x.75"	GBVAL42	•	•
60"x6"x.75"	GBVAL60	•	•

*Can cut up to 7.5" off either side

CORBEL
STRUCTURAL



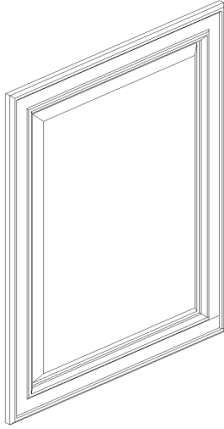
WxHxD	SKU	MINIMAL SERIES	ESSENTIAL SERIES
3"x12"x5"	CSS	•	•

POST
STRUCTURAL



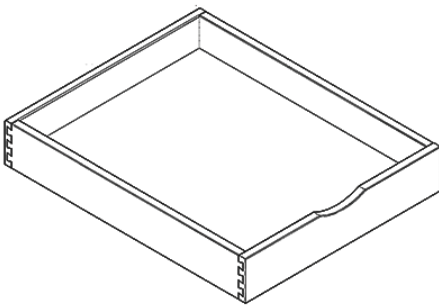
WxHxD	SKU	MINIMAL SERIES	ESSENTIAL SERIES
3"x34.5"x3"	SP34.5	•	•
3"x42"x3"	SP42	•	•

DECORATIVE END PANEL



WxHxD	SKU	MINIMAL SERIES	ESSENTIAL SERIES
12"x30"x.75"	WDD1230	•	•
12"x36"x.75"	WDD1236	•	•
12"x42"x.75"	WDD1242	•	•
23.5"x25.5"x.75"	BDD23.5x25.5	•	•
23.5"x30"x.75"	BDD23.5x30	•	•

ROLL OUT TRAY SET ACCESSORIES



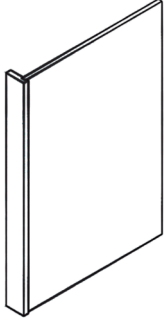
WxHxD	SKU	MINIMAL SERIES	ESSENTIAL SERIES
11"x4.25"x21"	ROT15	•	•
14"x4.25"x21"	ROT18	•	•
17"x4.25"x21"	ROT21	•	•
20"x4.25"x21"	ROT24	•	•
26"x4.25"x21"	ROT30	•	•
32"x4.25"x21"	ROT36	•	•

*Modifications available | Roll out ships loose

PRO TIP

When purchasing roll out trays, match the ROT# to the cabinet width. For example, B24 accepts ROT24.

END PANELS



WxHxD	SKU	MINIMAL SERIES	ESSENTIAL SERIES
3"x34.5"x24"	BEP3	•	•
3"x96"x24"	REP396	•	•

*Finished on both sides

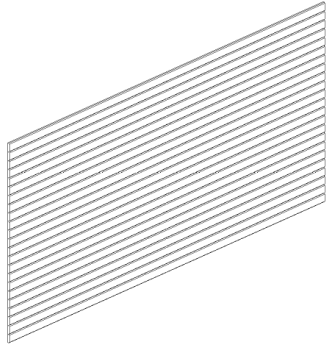
SIDE FINISHED SKINS



WxHxD	SKU	MINIMAL SERIES	ESSENTIAL SERIES
12"x30"x.25"	WS1230	•	•
12"x36"x.25"	WS1236	•	•
12"x42"x.25"	WS1242	•	•
24"x34.5"x.25"	BS24	•	•
24"x96"x.25"	TS2496	•	•

*Dimensions listed are nominal, actual size is slightly smaller to fit behind face frame.

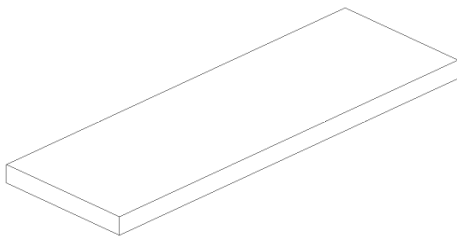
PLYWOOD PANELS



WxHxD	SKU	MINIMAL SERIES	ESSENTIAL SERIES
48"x96"x.25"	BP4896.25	•	•
Edge Banded Panels			
48"x96"x.75"	BP4896.75	•	•
24"x96"x.75"	BP2496.75	•	•
Beaded			
48"x96"x.25"	BBP4896.25	•	•

*³/₄ panels are edge banded 4 sides

WALL SHELF UNIT



WxHxD	SKU	MINIMAL SERIES	ESSENTIAL SERIES
36"x12"x1.5"	WSF3612	•	•
48"x12"x1.5"	WSF4812	•	•

*Only available in LSW, LSE, LSG, AA, AO, BG, and AB

PRO TIP

If cutting a shelf in width, make sure to butt one side against a wall or cabinet to cover the raw edge. Also be mindful of the support locations.



ORDERING POLICIES

ORDERING POLICIES

PLACING YOUR ORDER

ProCraft Cabinetry accepts written orders only and may be submitted using the ordering form located in the back of this catalog. You may also send an email with a list of items as long as ProCraft's nomenclature is used.

ORDER PROCESSING

If you have any questions or concerns, every Dealer account has a dedicated Client Services Representative that your orders may be submitted to. Once an order has been submitted you will receive an order acknowledgment with an estimate for you to review. Estimates must be approved, in writing, before the order will be processed.

ORDER CHANGES

Change orders are not permitted once an order has been approved. Orders may be canceled up until the order has been picked from inventory. All canceled orders are subject to a 25% restocking fee. The change order must be submitted as a new order and will be placed at the beginning of the order processing queue.

SHIPPING

Deliveries will incur additional charges which will be included separately on your estimate. When you are submitting your order, specify whether it will be a pickup or delivery order, along with the delivery location and address. Someone must be present at the time of delivery to receive and sign for the order. ProCraft schedules orders as they are received. Rush orders may incur additional charges.

SCHEDULE FOR SHIPPING

ProCraft schedules orders as they are received. Rush orders may incur additional charges. Shipping is not included in the price. A shipping price will be provided for you in addition to your order price.

RECEIVING POLICIES

CHECK YOUR ORDER

Someone must be present at the time of delivery to receive your order. It is your responsibility to inspect your order for any missing items or visible damage. Any missing items or damaged packaging must be notated on the BOL or delivery ticket before signing any paperwork from the driver. If the BOL is electronic, be sure to request the driver to allow you to add notes on the device before signing. Report any issues to your ProCraft Cabinetry Representative immediately with clear and visible photos of the damaged products and your copy of the Bill of Lading. ProCraft is not responsible for loss or damage that occurs during shipment after you give the carrier a clean receipt. All damages caused during delivery are not covered under warranty. Concealed damages must be reported within 48 hours of delivery.

MISSING ITEMS

If there are items missing from your order, ensure to get a copy of the Bill of Lading and clearly notate which components are missing.

DAMAGES

Please inspect all boxes for visible damage in the presence of the carrier representative. Report any issues to your ProCraft Cabinetry Representative immediately with clear and visible photos of the damaged products and your copy of the Bill of Lading. ProCraft is not responsible for loss or damage that occurs during shipment after you give the carrier a clean receipt. All damages caused during delivery are not covered under warranty.

WARRANTY & DISCLAIMER

ProCraft Cabinetry ("**We**" or "**Us**") warrants to the first Residential Purchaser ("**You**" or "**Your**") a Five-Year Limited Warranty that warrants any product manufactured by Us and sold only in the United States to be free from any unnatural or unavoidable defects, under normal residential usage, which cannot be satisfactorily abated by You. This warranty is effective for cabinetry purchases on or after January 1st, 2019.

Who is a Residential Purchaser? Under this limited warranty, a "**Residential Purchaser**" means any of the following:

- A person who purchases Product and is installed in a dwelling that is owned and used as a primary or secondary home.
- A person or business (Builder/Contractor/Developer) that purchases product and is installed in a dwelling by that person or business on behalf of the Owner of the dwelling. In such case, this Limited Warranty may be transferred to the Owner of the dwelling if used as a primary or secondary home by Owner.

What the Limited Warranty Covers

We may elect to repair, replace and/or modify, at our option, any component(s) which has/have been proven to be defective and unable to serve its/their intended purpose (under normal installation, condition and use) by Us. The following parts are covered by this warranty:

Door Frames, Door Fronts, Cabinet Shelves, Roll Out Trays, Base End Panels, Cabinet Doors, Drawer Glides, Shelving Clips, Cabinet Accessories (toe kick, molding, etc.), Cabinet Boxes

What the Limited Warranty Does Not Cover

- Deterioration/discoloration due to normal use
- Natural color variations in stained cabinetry
- Replacement of cabinetry or cabinetry parts that have been used for purposes outdoors
- Replacement of cabinetry or cabinetry parts that have been altered or modified from their original purpose, misused, neglected and/or not well-maintained
- Damage during transit
- Storage procedures that exceed the guidelines We recommend

WARRANTY & DISCLAIMER

- Labor costs associated with warranty claim (installation and/or removal)
- Transportation and/or installation of defective, repaired and/or replacement product(s)
- Service calls to retrieve the defective product(s) from You to Us.
- Damage by causes outside of our control (flood, fire, or other acts of God)
- Cabinets installed in areas that are outside the recommended storage temperatures (50-85°F)

DISCLAIMER

Wooden cabinets will expand and contract due to environmental conditions outside of our control, such as humidity. If a door appears warped less than ¼ inch, You agree to let it hang in its original position for one season before a claim is made. This will allow for the proper cabinet setting to take place as it can vary depending on the environment the cabinetry is located in.

HOW TO FILE A WARRANTY CLAIM

To initiate a claim, please contact the ProCraft location that supplied you with Your original order. Please have the original invoice number with you at the time you make a claim. All warranty claims are subject to inspection by Us. You understand that replacement parts may vary in their natural color variation from those which were originally supplied to You.

IMPLIED WARRANTY

This Limited Warranty serves as the sole warranty for ProCraft in lieu of any and all other warranties both oral and implied—including Warranty of Merchantability and Fitness for a Particular Use.

REPLACEMENTS & RETURNS

DOCUMENT YOUR ITEMS

You need to receive any damaged components that arrive—do not reject any items. All concealed damaged items must be reported within forty-eight (48) hours after the product has been delivered. All claims should be reported to your ProCraft Cabinetry location via your Representative by sending the order information regarding the issue and pictures showing the damage.

FILING A CLAIM

To file a claim, submit the claim form located in the back of this catalog along with pictures of the damage. All claims will need to be authorized by ProCraft prior to return shipment. Products that have incurred damage due to user error are replaced at the client's expense and will not be refunded under any circumstances.

RETURNS

Returns accepted on RTA cabinetry are subject to a 25% restocking fee of the order total. Boxes must be unopened, clean, and unmarked. Returns will be credited only upon return and inspection of product when it arrives back to ProCraft. Assembled/installed cabinetry is considered to be custom built and is therefore nonreturnable. We cannot accept returns on any pieces of trim (this includes all types of molding, toe kick and plywood panels). We will not process any returns if the product returned is missing or incomplete from the original shipment. Returns must be submitted within 30 days of delivery.

CARE & MAINTENANCE

BASIC CLEANING

For after installation cleaning and/or normal periodic cleaning of your new cabinets, use a soft, lint-free cotton cloth dampened with warm water. If needed, you can use a mild dishwashing detergent or soap on your damp soft cloth. When doing your initial cleaning, remove as much dust and construction dirt as possible. Immediately remove any spills or splatters of any food or liquid from the surface of your cabinets. Be sure to wipe cabinets dry after cleaning and do not allow water to remain on cabinets for extended periods of time.

BASIC MAINTENANCE

After normal cabinet use, your cabinet doors may need some adjusting. This can be accomplished by turning the 3 screws located on the hinges. The hinges can be adjusted up, down, in, out, and left to right. Tightening of the hinge mounting screws and door mounting screws may also be needed periodically. Touch up kits can also be purchased to help hide or cover up small scratches and chips that may occur over the life of your cabinets.

THINGS TO AVOID

- Avoid using any commercial grade chemicals or cleaners on the surface of your cabinets.
- Avoid allowing any liquids or foods, especially those with strong dyes or bright coloring, from sitting on the cabinet surfaces. These items could stain or damage the cabinet finish.
- Avoid using any abrasive products, such as steel wool or scouring pads, on the surface of the cabinets.
- Avoid hanging any wet or damp clothes on cabinet doors and drawer faces.
- Avoid positioning any countertop appliances under the wall cabinets. These appliances can produce heat or steam that could damage the bottom and face of wall cabinets.
- Avoid long-term exposure to direct sunlight.

ORDERING FORM

	CONTACT	ACCOUNT #
DOOR STYLE	PHONE	P.O. BOX
	FAX	DATE
FINISH	EMAIL	SHIP DATE REQUESTED
		SHIP TO

	QUANTITY	CABINET CODE	MODIFICATION	PRICE
1				
2				
3				
4				
5				
6				
7				
8				
9				
10				
11				
12				
13				
14				
15				
16				
17				
18				
19				
20				
21				
22				
23				
24				
25				
26				
27				
28				
29				
30				

DELIVERY	<input type="checkbox"/>	DEALER COST MULTIPLIER	
PICKUP	<input type="checkbox"/>	DEALER COST	
ASSEMBLED	<input type="checkbox"/>	TAX	
RTA	<input type="checkbox"/>	TOTAL	CUSTOMER SIGNATURE

ORDERING FORM

	CONTACT	ACCOUNT #
DOOR STYLE	PHONE	P.O. BOX
	FAX	DATE
FINISH	EMAIL	SHIP DATE REQUESTED
		SHIP TO

#	QUANTITY	CABINET CODE	MODIFICATION	PRICE
1				
2				
3				
4				
5				
6				
7				
8				
9				
10				
11				
12				
13				
14				
15				
16				
17				
18				
19				
20				
21				
22				
23				
24				
25				
26				
27				
28				
29				
30				

DELIVERY	<input type="checkbox"/>	DEALER COST MULTIPLIER	
PICKUP	<input type="checkbox"/>	DEALER COST	
ASSEMBLED	<input type="checkbox"/>	TAX	
RTA	<input type="checkbox"/>	TOTAL	CUSTOMER SIGNATURE

CLAIM FORM

CONTACT

PHONE

FAX

EMAIL

ACCOUNT #

PURCHASE ORDER #

SALES ORDER #

DATE

SUBMISSION

Please email this form to the address corresponding to the location from which the original order was generated.

info@procraftchicago.com • info@procraftnashville.com • info@procraftmiami.com • info@procraftdallas.com

info@procrafthouston.com • info@procraftseattle.com • info@procraftatlanta.com

	QUANTITY	CABINET CODE	DESCRIPTION	REASON CODE	REQUEST CODE
1					
2					
3					
4					
5					
6					
7					
8					
9					
10					
11					
12					
13					
14					
15					
16					
17					
18					
19					
20					

REASON CODES

- 1-Wrong Quantity Received
- 2-Wrong Merchandise
- 3-Defective Product
- 4-Damaged during transit
- 5-Missing Components
- 6-Other

REQUEST CODES

- 1-Exchange
- 2-Replace
- 3-Credit
- 4-Other

REQUIREMENTS

All requests must have documentation & pictures attached for processing. We will not be able to process without picture documentation. Please be as detailed as possible when describing your claim. All claims will be processed in the order in which they are received. Shipment and claim summary will be provided when a claim has been processed.

CUSTOMER SIGNATURE

DEALER APPLICATION

OFFICE USE ONLY

ACCOUNT #

SALES REP #

MULTIPLIER #

BASIC INFORMATION

Company Name	Address
	City, State, Zip
Representative	Annual Cabinet Sales
Phone	Date Business Started
Email	# Import Lines Carried
Fax	# Domestic Lines Carried
Showroom SQ FT	Showroom YES NO

OWNER INFORMATION

Owner Name	Owner's Address
Phone	City, State, Zip
Email	

REFERENCES

Company Name	Address
Phone	City, State, Zip
Email	Type of Account

Company Name	Address
Phone	City, State, Zip
Email	Type of Account

By submitting this application you authorize ProCraft Cabinetry to inquire about your trade references. Sign and return complete application to the following ProCraft branch that is geographically closest to your location:

info@procraftchicago.com • info@procraftnashville.com • info@procraftmiami.com • info@procraftdallas.com

info@procrafthouston.com • info@procraftseattle.com • info@procraftatlanta.com

SIGNATURE

DATE

SIGNATURE

DATE

TITLE

TITLE



MODIFICATIONS

MODIFICATIONS

KEY

PFG	PREP FOR GLASS	IDT	INCREASE DEPTH TALL	RDT	REDUCE DEPTH TALL
FIW	FINISH INTERIOR WALL	RDB	REDUCE DEPTH BASE	CTK	CUT TOE KICK
FIT	FINISH INTERIOR TALL	RDD	REDUCE DEPTH DRAWER	SKIN	APPLYING SKIN TO CABINETS
IDW	INCREASE DEPTH WALL	RDW	REDUCE DEPTH WALL		

SKU	RDB	RDD	RDW	RDT	IDW	IDT	CTK	FIW	FIT	PFG
B12	•						•			•
B15	•						•			•
B18	•						•			•
B21	•						•			•
B24	•						•			•
B27	•						•			•
B30	•						•			•
B33	•						•			•
B36	•						•			•
B39	•						•			•
B42	•						•			•
W3012			•		•			•		•
W3015			•		•			•		•
W3018			•		•			•		•
W3021			•		•			•		•
W3024			•		•			•		•
W3324			•		•			•		•
W3612			•		•			•		•
W3615			•		•			•		•
W3618			•		•			•		•
W3621			•		•			•		•
W3624			•		•			•		•
W361224			•		•			•		•

MODIFICATIONS

SKU	RDB	RDD	RDW	RDT	IDW	IDT	CTK	FIW	FIT	PFG
W361524		
W361824		
W362124		
W421224		
W481224		
W362424		
W1818		
W0930		
W1230		
W1530		
W1830		
W2130		
W2430		
W2730		
W3030		
W3330		
W3630		
W3930		
W4230		
W0936		
W1236		
W1536		
W1836		
W2136		
W2436		
W2736		
W3036		

MODIFICATIONS

SKU	RDB	RDD	RDW	RDT	IDW	IDT	CTK	FIW	FIT	PFG
W3336		
W3636		
W3936		
W4236		
W0942		
W1242		
W1542		
W1842		
W2142		
W2442		
W2742		
W3042		
W3342		
W3642		
W3942		
W4242		
WSC2430										.
WSC2436										.
WSC2442										.
WDC2418										.
WDC2430								.		.
WDC2436								.		.
WSC2442								.		.
WDC2418								.		.
WDC2430								.		.
WDC2436								.		.
WDC2442								.		.

MODIFICATIONS

SKU	RDB	RDD	RDW	RDT	IDW	IDT	CTK	FIW	FIT	PFG
WDC273615								•		•
WDC274215								•		•
3DB12		•					•			
3DB15		•					•			
3DB18		•					•			
3DB21		•					•			
3DB24		•					•			
3DB30		•					•			
3DB36		•					•			
2DB30		•					•			
2DB36		•					•			
SB24	•						•			•
SB30	•						•			•
SB33	•						•			•
SB36	•						•			•
SB39	•						•			•
SB42	•						•			•
FS36	•						•			•
FS39	•						•			•
B09SP							•			
BWB18							•			
TP188424				•		•	•		•	•
TP189024				•		•	•		•	•
TP189624				•		•	•		•	•
TP248424				•		•	•		•	•
TP249024				•		•	•		•	•
TP249624				•		•	•		•	•

MODIFICATIONS

SKU	RDB	RDD	RDW	RDT	IDW	IDT	CTK	FIW	FIT	PFG
TP308424				•		•	•		•	•
TP309024				•		•	•		•	•
TP309624				•		•	•		•	•
OC338424				•		•	•		•	•
OC339024				•		•	•		•	•
OC339624				•		•	•		•	•
FDB18		•					•			
VB12	•						•			•
VB15	•						•			•
VDB12		•					•			
VDB15		•					•			
VDB18		•					•			
VDB24		•					•			
VS24	•						•			•
VS30	•						•			•
VS36	•						•			•
VSD30L		•					•			•
VSD30R		•					•			•
VSD36L		•					•			•
VSD36R		•					•			•
VSD42		•					•			•
VSD48		•					•			•
BOX-ROT15	•									
BOX-ROT18	•									
BOX-ROT21	•									
BOX-ROT24	•									
BOX-ROT30	•									

MODIFICATIONS

SKU	RDB	RDD	RDW	RDT	IDW	IDT	CTK	FIW	FIT	PFG
BOX-ROT36	•									
W1212GD			•		•			•		
W1512GD			•		•			•		
W1812GD			•		•			•		
W2112GD			•		•			•		
W2412GD			•		•			•		
W2712GD			•		•			•		
W3012GD			•		•			•		
W3312GD			•		•			•		
W3612GD			•		•			•		
WDC2412GD			•		•			•		
WBC3030			•		•			•		•
WBC3630			•		•			•		•
WBC3036			•		•			•		•
WBC3636			•		•			•		•
WBC3042			•		•			•		•
WBC3642			•		•			•		•
WMO3030								•		•
WMO3036								•		•
WMO3042								•		•
W1530GD			•		•			•		
W1536GD			•		•			•		
W1542GD			•		•			•		
W2430GD			•		•			•		
W2436GD			•		•			•		
W2442GD			•		•			•		
W3030GD			•		•			•		

MODIFICATIONS

SKU	RDB	RDD	RDW	RDT	IDW	IDT	CTK	FIW	FIT	PFG
W3036GD			•		•			•		
W3042GD			•		•			•		
WDC2430GD								•		
WDC2436GD								•		
WDC2442GD								•		
WDC273615GD								•		
WDC274215GD								•		
B09FH	•						•			•
B12FH	•						•			•
B15FH	•						•			•
B18FH	•						•			•
B21FH	•						•			•
B24FH	•						•			•
B27FH	•						•			•
B30FH	•						•			•
B33FH	•						•			•
B36FH	•						•			•
B39FH	•						•			•
B42FH	•						•			•
DSB36							•			
LSB33							•			
LSB36							•			
BER36							•			
BAE24							•			
BLB39/42	•						•			
BLB42/45	•						•			
BMD30	•						•			

MODIFICATIONS

NOTES

PFG	Specify which door(s) i.e. Lower left door or both top pantry doors. Glass sold separately.	RDW	Specify depth to face frame. Min. Depth 9"
IDW	Specify depth to face frame. Max Depth 30"	RDT	Specify depth to face frame. Min. Depth 9"
IDT	Specify depth to face frame. Max Depth 30"	CTK	Specify height of toe kick 0" to 4.5"
RDB	Specify depth to face frame. Min. Depth 15". Drawers may not have dovetail after modification.	SKIN	Skins sold separately
RDD	Specify depth to face frame. Min. Depth 15". Drawers may not have dovetail after modification.		

PROCRAFT CHICAGO

4620 Roosevelt Rd. Hillside, IL 60162

p: 708.234.1700 | f: 708.234.1701

e: info@procraftchicago.com

PROCRAFT NASHVILLE

429 McNally Dr. Nashville, TN 37211

p: 615.528.0399 | f: 615.528.0311

e: info@procraftcabinetry.com

PROCRAFT FLORIDA

1850 S. Powerline Rd. Deerfield Beach, FL 33442

p: 754.212.2277 | f: 754.212.2270

e: info@procraftmiami.com

PROCRAFT DALLAS

2330 Alberta Dr, Suite 100 Dallas, TX 75229

p: 469.607.2588 | f: 469.480.2599

e: info@procraftdallas.com

PROCRAFT HOUSTON

4647 Pine Timbers St. Houston, TX 77041

p: 832.203.5860 | f: 832.649.3467

e: info@procrafthouston.com

PROCRAFT SEATTLE

20848 84th Ave. South Kent, WA 98032

p: 253.236.8608 | f: 253.236.8815

e: info@procraftseattle.com

PROCRAFT ATLANTA

6684 Jimmy Carter Blvd. Suite 200, Norcross, GA 30071

p: 770.837.0909 | f: 770.837.0930

e: info@procraftatlanta.com



Milania

